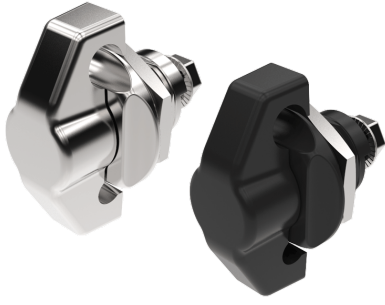


# QUARTER-TURN WING KNOB 18 MM



Padlockable quarter-turn wing knob with rotation of the knob that enables it to be blocked with a padlock. Universal clockwise or counter-clockwise rotation when opening or closing. Supplied with nut. Protection degree IP65.



## MATERIAL

**Cam:** Steel, zinc plated

**Earthing nut:** Zinc die cast, zinc plated

**Housing:** Zinc die cast, chrome plated

**Standard nut:** Zinc die cast, zinc plated

**Wing knob:** Zinc die cast, chrome plated, black texture powder coated or glass fibre reinforced Polyamide (PA6GF30), black

## RELATED PRODUCTS

**Rods:** 2-540, 2-541, 2-545

**Cams:** 2-490, 2-510, 2-520, 2-480

**Rod guides:** 2-560, 2-570

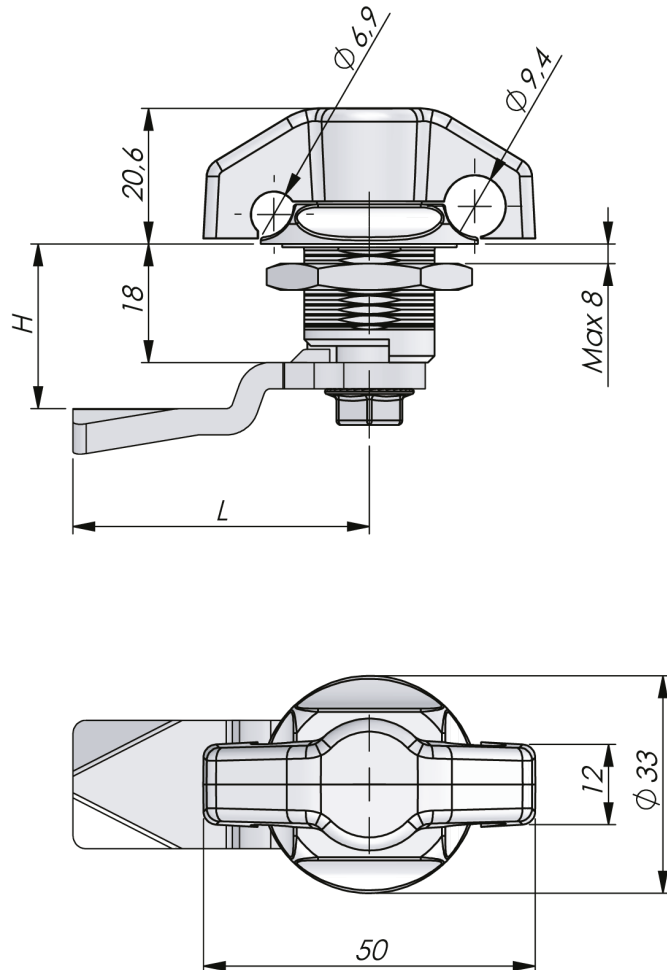
**Rod adapters:** 2-541

Use the Index Code at [industrilas.com](http://industrilas.com)

## TECHNICAL INFORMATION

**Cutout:** COMBI

**Standards:** IP65



**Industrilas**  
— When access counts —

**Make your selections in each column to create your article number (AAAAAA-HHLL)**

AAAAAA	Surface treatment	Nut	HHLL	H/L in mm
241385	Chrome	Standard	0000	No cam
241386	Chrome	Earthing nut	0445	4 / 45
241685	Black	Standard	0645	6 / 45
241686	Black	Earthing nut	0845	8 / 45
			1045	10 / 45
			1245	12 / 45
			1445	14 / 45
			1645	16 / 45
			1845	18 / 45
			2045	20 / 45
			2245	22 / 45
			2445	24 / 45
			2645	26 / 45
			2845	28 / 45
			3045	30 / 45
			3245	32 / 45
			3445	34 / 45
			3645	36 / 45
			3845	38 / 45
			4045	40 / 45
			4245	42 / 45
			4445	44 / 45
			4645	46 / 45
			4845	48 / 45
			5045	50 / 45

